



NEW  
RELEASE  
INFORMATION  
Vol.336

TOMEI STROKER KIT SERIES

# RB28KIT For RB25DET NEO6

**New special pistons  
for RB25 NEO6!**



**NEO6 equipped engine to be converted to the long-awaited RB28!  
Get big torque & power!**

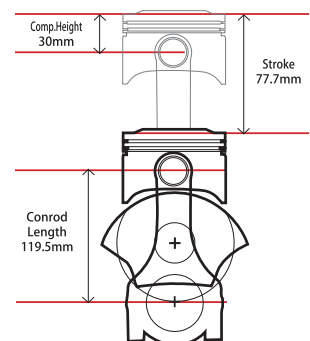
We had recommended using the RB28KIT on the RB25DET.  
However, NEO Straight 6 had previously prohibited the use of RB28KIT due to compression ratio issues.  
Finally, we have developed a new dedicated piston to make the RB28KIT compatible with the RB25DET NEO straight 6.  
Now you can enjoy tuning the 2.5 modified 28 specifications!  
We hope you will enjoy the effects of the increased displacement caused by the RB28 conversion.

## SPEC

	Bore	Stroke	Displacement	Comp.Height	Conrod Length	Piston Crown Volume	Reference		
							Block Height	STD Gasket Thicknesses	Combustion chamber volume
RB26DETT	φ 86	73.7mm	2568cc	30mm	121.5mm	-14.7cc	188.35mm	1.2mm	64.5cc
RB25DET NEO6	φ 86	71.7mm	2498cc	31mm	121.5mm	-8.0cc	188.35mm	1.2mm	53.0cc
TOMEI RB28 NEO6	φ 87	77.7mm	2770cc	30mm	119.5mm	-2.9cc			

### Compression Ration Specs

MODEL	Piston Sizes	ValveRecess	Gasket Thicknesses (mm)		G/K Bore
			1.2	1.5	
TOMEI RB28 NEO6	87mm	YES	約9.0	約8.8	φ88.0



TYPE	Bore (Φ)	Displacement (cc)	P/N	JPY	NOTES
RB28KIT(RB25DET NEO6)	87.0	2770	252009	<b>¥580,000</b>	<ul style="list-style-type: none"> <li>•FORGED 8 COUNTERED CRANKSHAFT</li> <li>•FORGED PISTON KIT</li> <li>•FORGED H-BEAM CONROD KIT</li> <li>•OIL JET SPACER</li> </ul>
With Conrod Bearings Bundle Pack			250021	<b>¥610,000</b>	<ul style="list-style-type: none"> <li>•FORGED 8 COUNTERED CRANKSHAFT</li> <li>•FORGED PISTON KIT</li> <li>•FORGED H-BEAM CONROD KIT</li> <li>•OIL JET SPACER</li> <li>•CONROD BEARING</li> </ul>
RB28 FORGED PISTON KIT RB25DET NEO6			1115870112	<b>¥165,000</b>	Conversion from owned RB28KIT or for repair

**TOMEI POWERED INC.**

5-4-27 Tsuruma Tokyo Machida TEL:+81-42-795-8411 FAX:+81-42-799-7851 <http://www.tomei-p.co.jp>

■ Prices are subjected to changes without prior notice ■ The images are for illustration purposes only & the color may differ from the actual product due to printing and publication errors.