

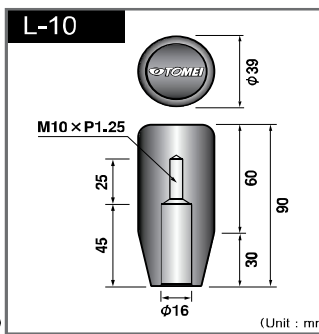
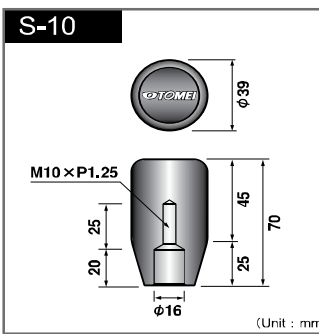


**NEW  
RELEASE  
INFORMATION  
VOL. 1**

# Shift Knob & Oil Cap

## Shift Knob

It has been 5 years since we had discontinued the TOMEI Duracon Shift Knob. But due to popular demand and consistent requests we decided to release it. The shift knob is made from Duracon retaining the traditional design.



●**Duracon Material**  
Duracon is a type of synthetic resin materials which is often used for performance products because of its high strength & heat resistance qualities. When you use this shift gear knob you will realize it's comfortable and easy to get accustomed to. With the nice sporty simple look and surface feel as with weather changes the shift knobs temperature only changes slightly. So it is not too cold in winter and not too hot in summer.

Type	Size	Part #	MSRP	Material
S-10	10×1.25mm	32865S010S	\$28.00 USD	Duracon
L-10	10×1.25mm	32865S010L	\$28.00 USD	Duracon

Compatible Vehicle : NISSAN ▪ MITSUBISHI ▪ MAZDA

## Oil Filler Cap



Buff (Silver)



Bronze



Blue



Installation image

This Oil filler cap is an RB26 forged piston design. This oil cap was designed by 3D CAD software and then made from carved out of aluminum. Other than the buffed finish Silver, there are also 3 color options to choose from, Anodized Blue and Anodized Bronze. Give your engine bay the showroom look it deserves.

### Oil Filler Cap Car Application Chart

Car	Model	Engine
Silvia ▪ 180SX	S12 ▪ S13 ▪ S14 ▪ S15	CA ▪ SR Type
Skyline	R31 ▪ R32 ▪ R33 ▪ R34 ▪ V35	RB ▪ VQ Type

The Vehicles below has same screw size but the application has yet to be confirmed.

Car	Model	Engine
March ▪ Cube	K11 ▪ Z10	CG Type
Pulsar ▪ Exa	N13 ▪ N14 ▪ N15	GA ▪ SR Type
Sunny ▪ Lucino ▪ Rasheen	B12 ▪ B13 ▪ B14	GA ▪ SR Type
Primera	P10 ▪ P11	SR Type
Bluebird	U11 ▪ U12 ▪ U13 ▪ U14	CA ▪ SR Type
Laurel ▪ Stagea	C32 ▪ C33 ▪ C34 ▪ M35	RB ▪ VQ Type
Fairlady Z ▪ 300ZX ▪ 350Z	Z31 ▪ Z32 ▪ Z33	RB ▪ VG ▪ VQ Type
Cedric ▪ Gloria ▪ Cima	Y31 ▪ Y32 ▪ Y33 ▪ Y34	VG ▪ VQ Type
Avenir ▪ Avenir Salut	W10	GA ▪ CD ▪ SR Type

☐ The TOMEI oil filler cap can at times be unsuitable for certain applications. Even if the screw size is the same the thread might be slightly different. So please enquire before purchasing to ensure that it will fit your desired application.

### Forged Piston Type

Size	Color	Part #	MSRP	Note
M32 Pitch 3.5mm	Silver (Buffed)	193056	\$38.00 USD	Billet Aluminium
M32 Pitch 3.5mm	Bronze	193057	\$38.00 USD	Billet Aluminium
M32 Pitch 3.5mm	Blue	193058	\$38.00 USD	Billet Aluminium

**TOMEI POWERED USA INC.**

13 ORCHARD SUITE 107, LAKE FOREST, CA 92630 USA

TEL: +1-949-855-6577 FAX: +1-949-855-6525 URL: <http://www.tomeiusa.com>

■ Prices are subjected to changes without prior notice ■ The images are for illustration purposes only & the color may differ from the actual product due to printing and publication errors.